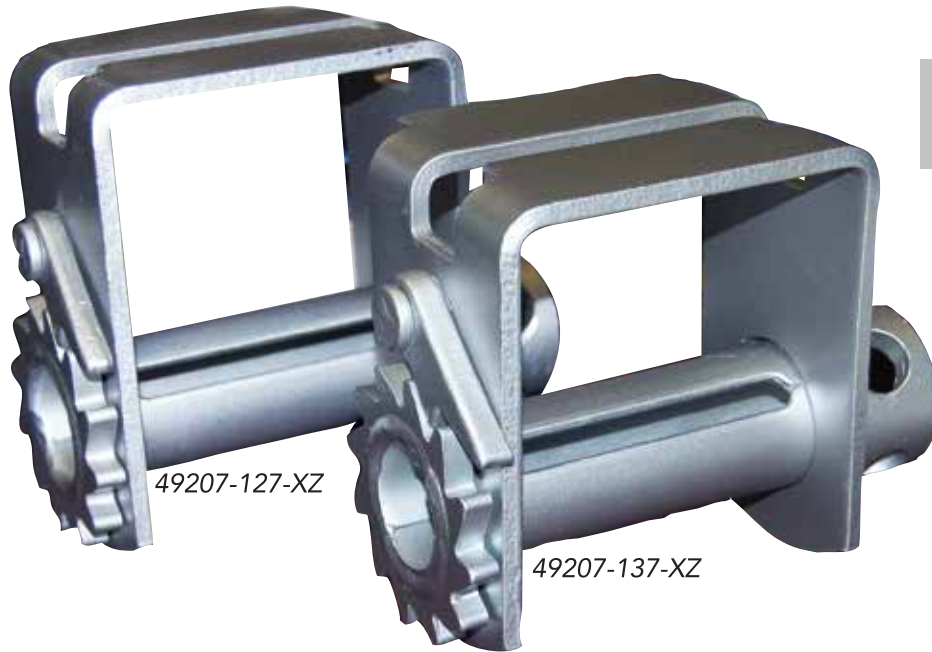


NEW **X-TREME** **ZINC™** WINCHES



**THE STRENGTH
BEHIND CORROSION
RESISTANCE**



IMPROVED

Greatly improved corrosion when compared to zinc-plated, painted, and powder coated winches resulting in longer lasting winch.

PART NUMBER	DESCRIPTION	WLL LB.	WEIGHT LB.
43565-127-XZ	C Track Slider, Storable Web	6,000	8.2
43565-157-XZ	C Track Slider, Standard	6,000	7.6
48101-103-XZ	Low Profile Side Mount, 3 Bar	6,000	9.5
48101-163-XZ	Portable, 3 Bar	6,000	11.2
49207-127-XZ	Double L Slider, Storable Web	5,500	6.8
49207-137-XZ	Double L Slider, Standard	5,500	6.5
49207-187-XZ	Double L Slider, Low Profile	5,500	6.2
49207-273-XZ	Double L Slider, 3 Bar	5,500	8.7
49207-283-XZ	Low Profile Double L Track Slider, 3 Bar	5,500	9.2

*Extensive Corrosion
Resistance Testing Conducted!*

