



VOLT® Low Voltage Lighting Infiniti™ G4 Integrated LED Directional Lights, VAL-30xx Series

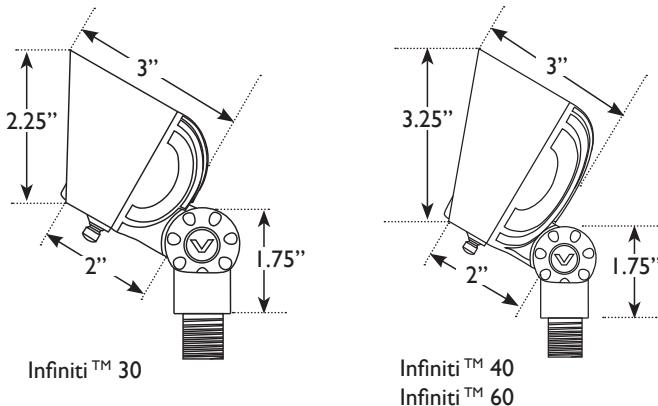
Product Description

VOLT® Infiniti™ G4 spotlights are professional grade integrated LED fixtures perfect for any uplighting application.

Constructed of heavy solid cast brass, the Infiniti™ G4 incorporates a built in driver and uses its body as a heat sink. The design allows the single source CREE LED chip to run at a cooler temperature, which equates to a longer life! Constructed (with a silicone plug where the lead wires exit the luminaire) and thick O-ring under the shroud, the Infiniti is completely water-tight. The luminaire is field serviceable and has an adjustable knuckle to aim light where it is needed.



Product Dimensions



Specifications

- ▶ **Construction:** Solid Cast Brass
- ▶ **Finish:** Bronze
- ▶ **Lead Wire:** 48" (standard) or 25' (optional) 18AWG, SPT-2 premium tinned copper
- ▶ **Mounting:** 10" Hammer Stake with cutout for wire exit
- ▶ **Glass or Lens:** Clear flat glass
- ▶ **Light Source:** Integrated Single Source CREE LED
- ▶ **Operating Voltage:** 6-18 VAC, with decreased lumens under 11V
- ▶ **Color Temperature:** 2700K
- ▶ **CRI:** 80+
- ▶ **Powered by:** VOLT's Low Voltage Transformer
- ▶ **Optic:** Comes with 60° optic pre-installed in fixture
- ▶ **Lifetime (L70):** > 60,000 Hours

Features & Benefits

- ▶ Solid Brass Construction.
- ▶ Pre-aged finish- a natural patina that does not corrode.
- ▶ Adjustable knuckle with lock screw allows light to be precision positioned.
- ▶ Silicone plug at lead wire exit prevents ground moisture and insects from entering luminaire through the stem.
- ▶ Machine threaded body screws tighten onto thick O-ring for a moisture-tight design.
- ▶ The Infiniti™ G4 series of fixtures should **NOT** be used as a downlight nor aimed in a downward position.
- ▶ CREE 4 Step Binned LED Diodes with L70 over 60,000 Hours

Warranty

Residential: Lifetime Warranty
 Commercial: 10-Year Warranty

Certifications



LISTED File #E466348



LISTED File #E466348