



VOLT® Low Voltage Transformers

Clamp Connect Multi-Tap Transformers

Product Description

The low voltage transformer is at the heart of every landscape lighting system. It converts the 120 volt current to a low voltage current (between 12 & 15 VAC). The efficiency of this conversion determines how well the transformer controls the voltage output, and how much energy is consumed in the process.

VOLT® transformers are the most efficient multi-tap low voltage transformers in the industry, providing high performance and energy savings. With high quality toroidal cores and robust wiring and internal components, these transformers provide a highly stable source of current with very low energy consumption. Use of VOLT® transformers ensure that the low voltage landscape lighting system runs at optimal efficiency for a lifetime of operation.



Specifications

- ▶ **Housing:** Non-brushed 304 stainless steel with removable cover
- ▶ **Power Cord:** 60" black 18AWG SJTW cord and plug set
- ▶ **Input Voltage:** 120V
- ▶ **Voltage Taps:**
 - 12VAC and 15VAC
- ▶ **Primary Circuit Protection:** Automatic (auto reset) thermal breaker in core
- ▶ **Secondary Circuit Protection:**
 - (1) 25A magnetic circuit breaker (150W, 300W)
 - (2) 25A magnetic circuit breakers (600W)

Features & Benefits

- ▶ Highly efficient toroidal core* - runs cooler, generates less noise, with less voltage loss under load.
- ▶ Unique color-coded wire markers for easy maintenance and troubleshooting.
- ▶ Extra-large 12V and 15V taps (UL 1838 compliant) - to accommodate landscape lighting systems of any size.
- ▶ Available in 150W, 300W, and 600W, capacities.
- ▶ Stainless steel body with hinged lid.
- ▶ Includes a photocell and timer receptacle.
- ▶ Magnetic circuit breakers; auto reset integrated thermal breaker (in core).
- ▶ ETL Listed for both indoor and outdoor use.

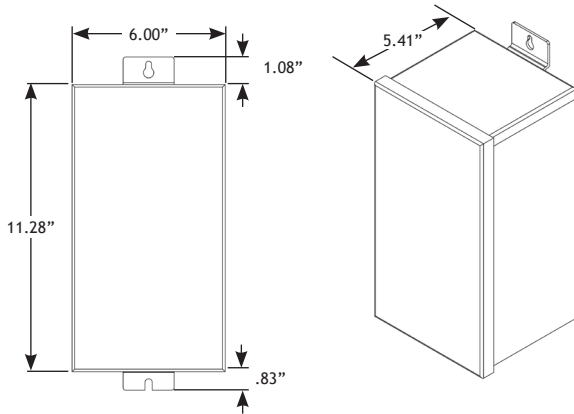
Warranty

Lifetime Warranty

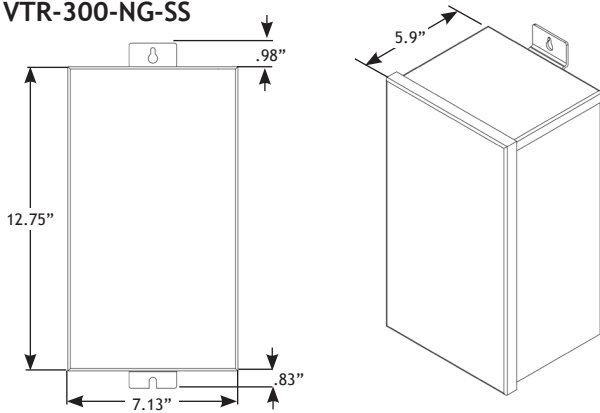


Product Dimensions

VTR-150-NG-SS



VTR-300-NG-SS



VTR-600-NG-SS

