



VOLT® Low Voltage Transformers

Slim Line Transformers VTR-150SL

Product Description

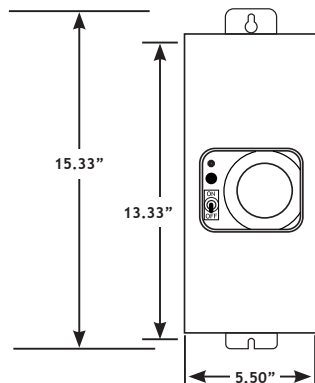
The VOLT® Slim Line Transformer series features several new aspects to the Clamp-Connect style series; along with the same old aspects you already know and love. The Slim Line features a thinner and slimmer overall housing along with a see through window. This allows you to see the pilot light for the transformer without ever opening the transformer door. These have an improved outer latch to make opening the door of the unit a breeze and latching it just as easy. The lower knockouts have been replaced with new single-size slots with plastic inserts to make using conduit hassle-free. If you aren't using conduit the new inserts allow for wire to slip in easily without it as well. These still utilize the clamp-connect terminals that make wire connections as simple as flipping a lever. The Slim Line series is the the culmination of the various great design improvements on transformer technology by VOLT® over the last several years.



Specifications

- ▶ **Housing:** Stainless Steel Casing with Plastic Cover and Waterproof Sheet
- ▶ **Power Cord:** 5 feet of SJTW Water Resistant VW-1 OR FT1 105° C 300V 18AWGX3C UE-321
- ▶ **Input Voltage:** 120V 60Hz
- ▶ **Voltage Taps:** 12 & 15 VAC
- ▶ **Secondary Circuit Protection:**
 - 150W: 12.5A Breaker
- ▶ **Maximum Draw:** Max 150W 12.5A

Dimensions



Features & Benefits

- ▶ Highly efficient toroidal core* - runs cooler, generates less noise, with less voltage loss under load.
- ▶ Unique color-coded wire markers for easy maintenance and troubleshooting.
- ▶ Large 12 & 15V taps (UL 1838 compliant)
- ▶ 150W capacity
- ▶ Stainless steel body with hinged lid and plastic cover to see the timer and pilot lights from the outside.
- ▶ Photocell/timer combo accessory sold as an option.
- ▶ Magnetic circuit breaker; auto reset integrated thermal breaker (in core).
- ▶ ETL Listed for both indoor and outdoor use.

Warranty

Lifetime Warranty

Certifications

