



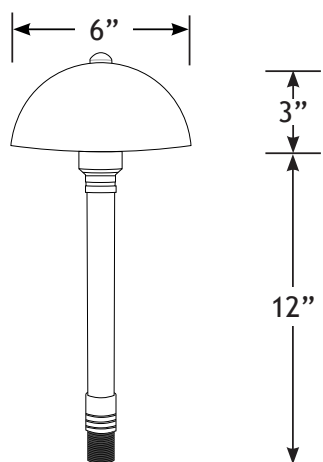
VOLT® Low Voltage Landscape Lighting Mushroom Mini, Path & Area Lights - 340 Series

Product Description

The only difference between this mini model and the Mushroom Path/Area Light is the height of the stem. The overall height of the fixture from ground to the top is 14" with an extra inch of threading. Use this fixture when you need something short and low. Great for using a surface mount and mounting on top of walls, pillars, and custom applications. Perfect for small area light applications. Backed by our lifetime warranty.



Product Dimensions



Specifications

- ▶ **Construction:** Solid Cast Brass
- ▶ **Finish:** Bronze
- ▶ **Lead Wire:** 48" (standard) or 25' (optional) 16AWG, SPT-2
- ▶ **Mounting:** 10" Hammer® Stake with cutout for wire exit
- ▶ **Glass or Lens:** Clear protective polycarbonate lens
- ▶ **Light Source (Sold Separately):** Bi-Pin (LED or Halogen)
- ▶ **Maximum Lamp Rating:** 20W
- ▶ **Operating Voltage:** 12V AC
- ▶ **Shipping Weight:** 3 lbs
- ▶ **Powered by:** VOLT's Low Voltage Transformer

Features & Benefits

- ▶ Solid Brass Construction
- ▶ Pre-aged finish; a natural patina that does not corrode.
- ▶ Stem is 1-inch thick and includes extra-long (1-inch) strip resistant threading for greater stability.
- ▶ Beryllium copper socket - more corrosion resistant than copper.
- ▶ Silicone plug at lead wire exit prevents ground moisture and insects from entering luminaire through the stem.
- ▶ Machine threaded body screws tight onto an O-ring for a moisture tight design.

Warranty

Lifetime Warranty

Certifications

