

INSTALLATION INSTRUCTIONS



VOLT® Low Voltage Landscape Lighting
VOLT® LED Hardscape Lights
VHS-67XX Series

Help Hotline:

1-813-978-3700 • Mon-Fri 8am-8pm • Sat-Sun 10am - 6pm (EST)

Specifications and product details subject to change without notice.

© Copyright 2018, VOLT® Lighting, Lutz FL USA 33549 • All rights reserved. customersupport@voltlighting.com • 813.978.3700



! Important Safety Instructions: Read Before Installation

This luminaire is intended for installation in accordance with local codes and the National Electric Code (NEC). Failure to adhere to these codes and instructions may result in serious injury, property damage and void the warranty.

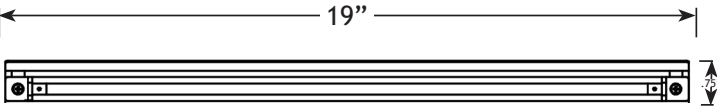
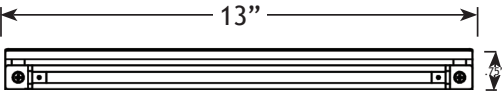
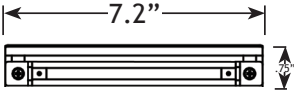
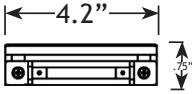
These instructions do not intend to cover all variations in installation, operation maintenance or mounting situations.

1. Make sure that the power is turned OFF before installing or servicing this luminaire.
2. Warning: risk of electrical shock. Install all luminaires 10 feet (3.05M) or more from pool, spa or fountain.
3. This luminaire is intended to be used only with a power supply (transformer) rated maximum of 300 watts (25 AMPS) at 15 volts.
4. DO NOT INSTALL in walls where the capstones overhang the wall less than 3/4" [19mm] or under stairs where the tread overhangs the riser less than 3/4" (19mm).
5. Wiring connections must be made with wire connectors that are suitable for outdoor use.
6. Position the low voltage wire and wire connector so that it is located within 6 inches (15.2 cm) from a building structure, a luminaire, or fitting.
7. The main low voltage cable is intended for shallow burial - less than 6 inches (152 mm).
8. If additional lengths of low voltage cable are required, please contact www.voltlighting.com or call 1-813-978-3700.

Package Contents

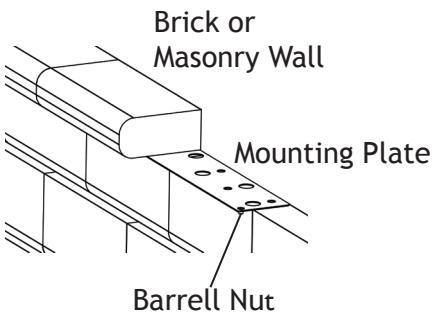
- A. (1) Luminaire
- B. (2) Self-tapping Screw
- C. (2) Wall Anchors

Product Dimensions



Install Luminaire in Brick or Masonry Wall

1 Install Mounting Plate

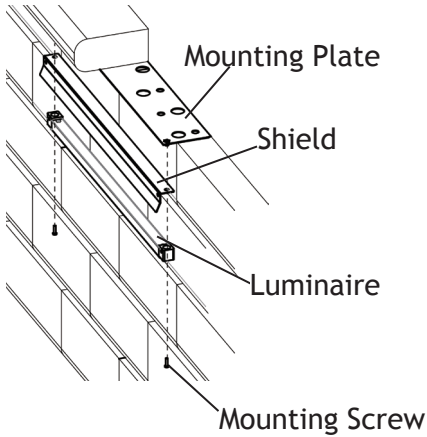


Determine the desired location for each luminaire before construction of the wall is started.

Insert the stainless steel mounting plate (sold separately), in between the layers of hardscape material. If preferred, use an adhesive or mortar (sold separately), to secure the luminaire in place.



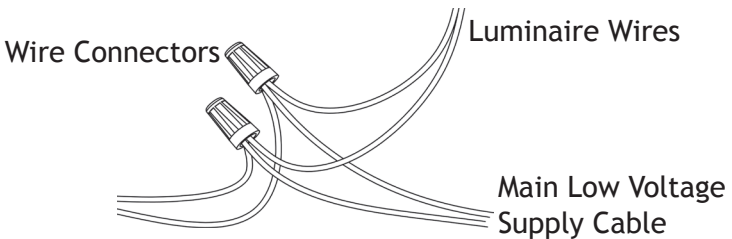
2 Install Luminaire



Route the luminaire wire through the wall to the main low voltage supply cable using standard masonry procedures. A “V” shaped notch can be cut into the hardscape material to aid in wire management.

Attach the shield and the luminaire to the stainless steel mounting plate by using machine screws (ships with mounting plate).

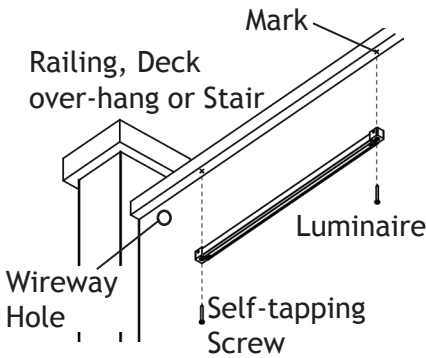
3 Wire Connection



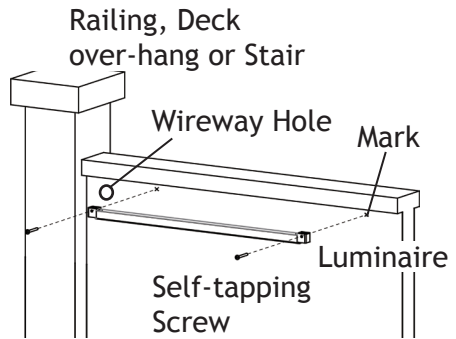
Strip both leads from the luminaire pigtail. Using two wire connectors (sold separately), connect the leads from the luminaire to the main supply cable leads.

Install Luminaire in Railing, Deck Over-hang or Stair

4 Determine Luminaire Location



Install from Bottom



Install from Side

Determine the desired location for the luminaire.

Place the luminaire to the mounting surface and mark two points on the mounting surface where the holes are on the ends of the luminaire. The marks will be used for self-tapping screws or wall anchors.

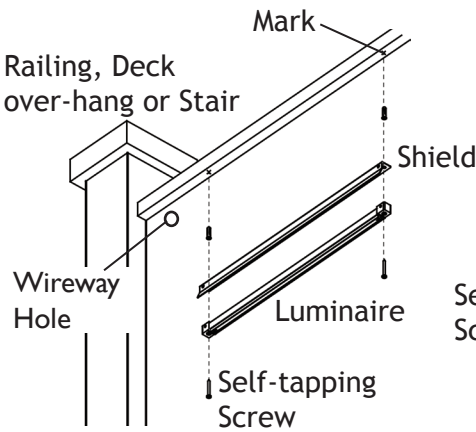
Note: Wall anchors are required for certain installation conditions (brick wall, concrete wall, etc.)

A wireway hole may be drilled through the decking fascia or other surface adjacent to the mounting surface.

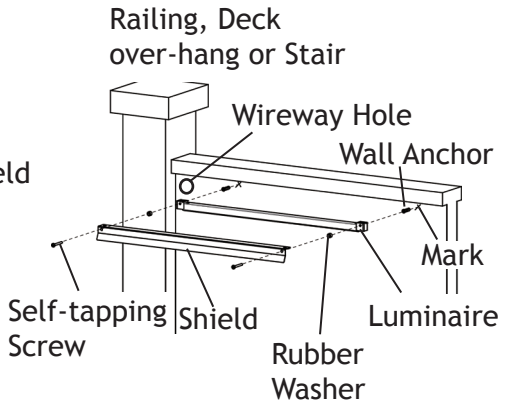
- A. Hold the luminaire in the desired mounting location. Mark the location where the wire exits the luminaire.
- B. Drill a hole through surface (suggested 1/4" [6.5mm] hole).
- C. Thread the wire through the drilled hole.



5 Install Luminaire



Install from Bottom



Install from Side

Install the luminaire and shield using provided self-tapping screws. If the screws are difficult to install, mark holes and drill 1/8" pilot holes.

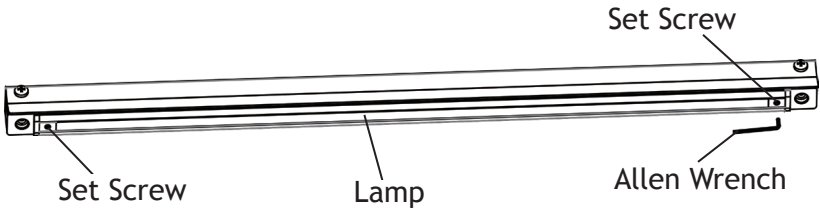
If wall anchors are required, drill proper holes from the marks on the mounting surface and then insert the wall anchors. Then install the luminaire and shield and secure them with the self-tapping screws.

Rubber washers are required during installation from the side.

NOTE: DO NOT OVER TIGHTEN SCREWS.

Return to Step 3 to complete the wire connections.

6 Adjust Lamp Direction



Using an Allen wrench, loosen the set screws on the ends of the lamp and then rotate the lamp to the desired direction. Always tighten the set screws after adjustments.



Help Hotline:

1-813-978-3700 • Mon-Fri 8am-8pm • Sat-Sun 10am - 6pm (EST)

www.voltlighting.com

Specifications and product details subject to change without notice.

© Copyright 2018, VOLT® Lighting, Lutz FL USA 33549 • All rights reserved. customersupport@voltlighting.com • 813.978.3700