



All Weather Furnishings

Model:

NCCT3772, NCT3772, NCRT3772, NCBT3772

- (1) Table top
- (8) Leg
- (4) Foot
- (4) Brace
- (1) Hardware pack

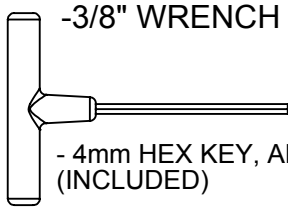
Step 2

Lay the table frame on a flat surface. Attach the leg assemblies to the frame using (16) 14x2½" hex screws - Do not tighten yet.

Step 3

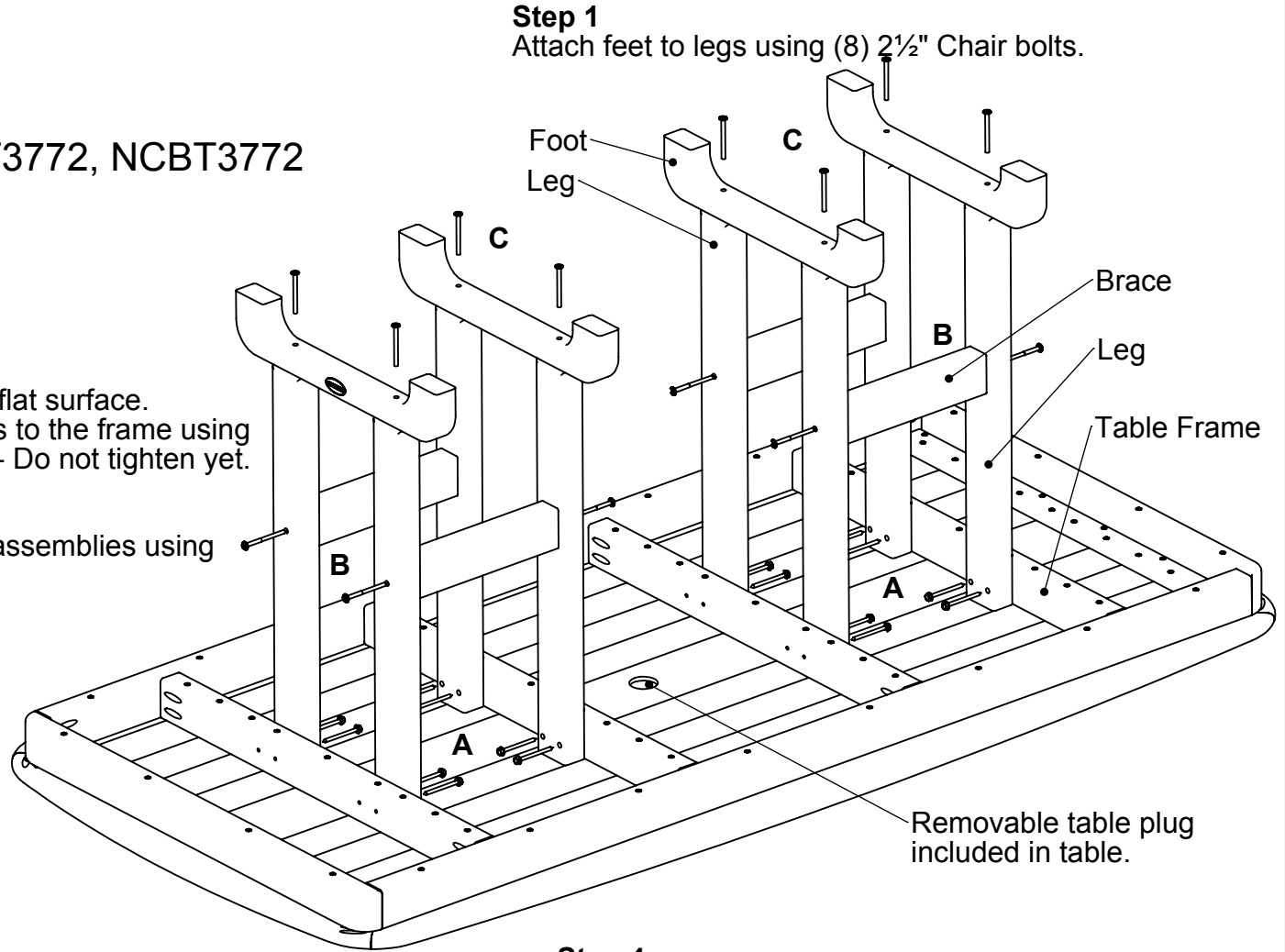
Attach braces to the leg assemblies using (8) .27x3" screws

TOOLS NEEDED



-3/8" WRENCH

- 4mm HEX KEY, ALLEN, T-HANDLE (INCLUDED)



Step 1

Attach feet to legs using (8) 2½" Chair bolts.

Foot

Leg

Brace

Leg

Table Frame

Removable table plug included in table.

Step 4

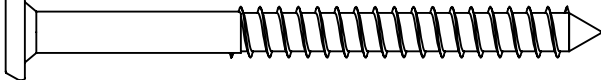
Set table upright and tighten all bolts.

Qty. Description

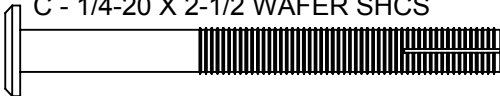
16 A - 14 X 2.50 HEX WASHER T-A ALCHM



8 B - .273 X 3 SOCKET WAFER A



8 C - 1/4-20 X 2-1/2 WAFER SHCS



POLYWOOD®

All Weather Furnishings

Join the POLYWOOD® Community

Share in the love of outdoor living, recycling, and more...



POLYWOOD



@POLYWOODINC



youtube.com/polywood



POLY-WORLD
Blog



POLYWOOD



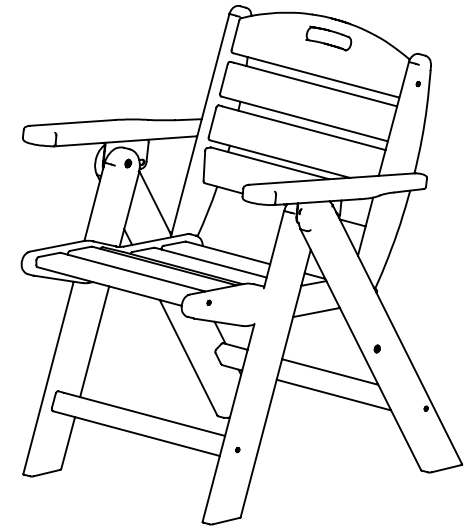
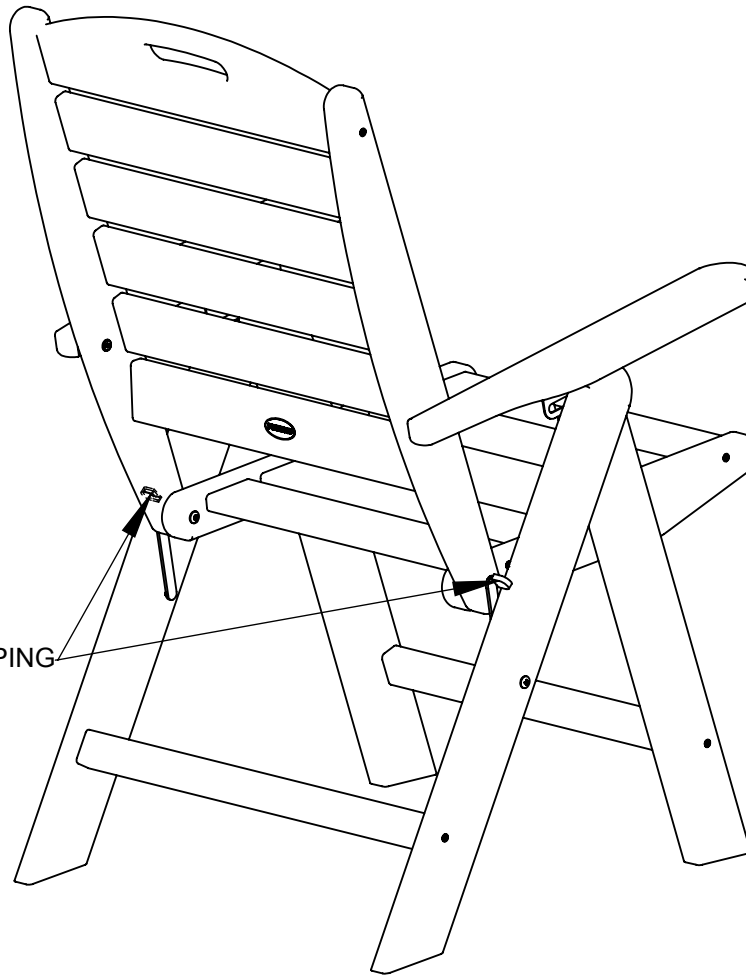
To view our full warranty, please visit the warranty page on our website at polywoodinc.com/resources.

If you have questions or concerns regarding assembly instructions or missing parts, please contact us at (877) 457-3284 or email support@polywoodinc.com

Model: NCH38 and NCL32

FEATURES :

1. NO ASSEMBLY REQUIRED



NCL32

POLYWOOD®

All Weather Furnishings

Join the POLYWOOD® Community

Share in the love of outdoor living, recycling, and more...



POLYWOOD



@POLYWOODINC



youtube.com/polywood



POLY-WORLD
Blog



POLYWOOD



To view our full warranty, please visit the warranty page on our website at polywoodinc.com/resources.

If you have questions or concerns regarding assembly instructions or missing parts, please contact us at (877) 457-3284 or email support@polywoodinc.com