



All Weather Furnishings

Model: ECT18, ECT26

- (1) Table top
- (2) Sideframes
- (2) Braces
- (1) Hardware pack

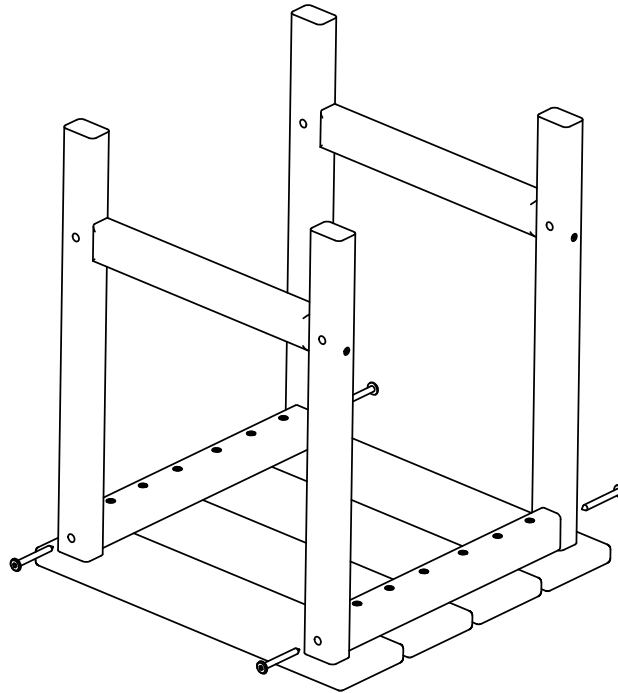
TOOLS NEEDED



4mm HEX KEY, ALLEN, T-HANDLE
(INCLUDED)

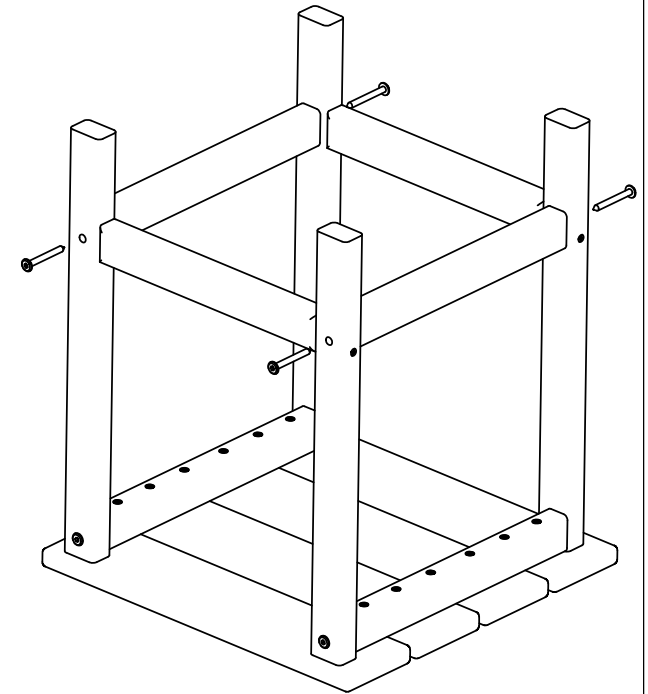
Step 1

Attach sideframes to table top
using (4) 2" screws



Step 2

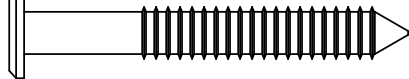
Attach braces to sideframes
using (4) 2" screws



Qty.	Description
------	-------------

8

A - .27 X 2 SOCKET WAFER A



POLYWOOD®

All Weather Furnishings

Join the POLYWOOD® Community

Share in the love of outdoor living, recycling, and more...



POLYWOOD



@POLYWOODINC



youtube.com/polywood



POLY-WORLD
Blog



POLYWOOD



To view our full warranty, please visit the warranty page on our website at polywoodinc.com/resources.

If you have questions or concerns regarding assembly instructions or missing parts, please contact us at (877) 457-3284 or email support@polywoodinc.com