

POLYWOOD®

Intelligent Design™

Model: SBD12

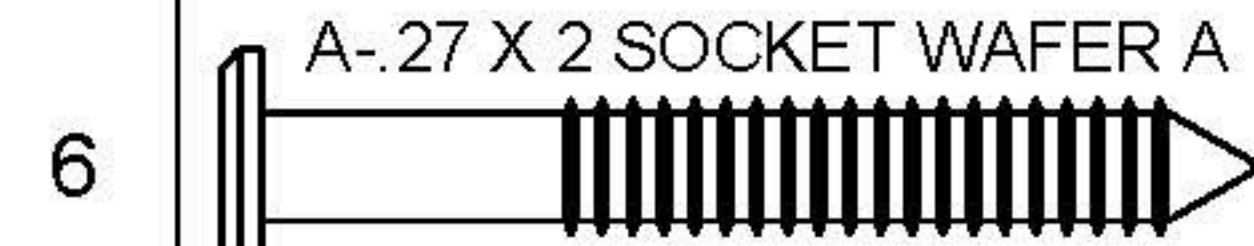
- (1) Seat
- (1) Back
- (2) Front legs
- (2) Back legs
- (2) Arms
- (2) Braces
- (1) Hardware pack

TOOLS NEEDED



7/16 Wrench
4mm HEX KEY, ALLEN, T-HANDLE
(INCLUDED)

Qty.	Description
6	A-.27 X 2 SOCKET WAFER A
2	B-.27 X 3 SOCKET WAFER A
6	C-1/4-20 X 1-7/8 WAFER SHCS
2	D-1/4-20 X 2-1/4 WAFER SHCS
8	E-1/4 FLAT WASHER
8	F-1/4-20 NYLOCK NUT



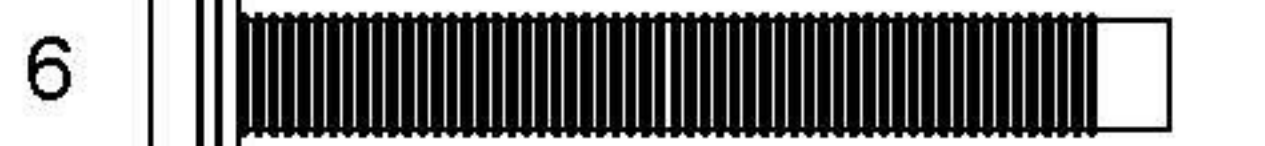
6

A-.27 X 2 SOCKET WAFER A



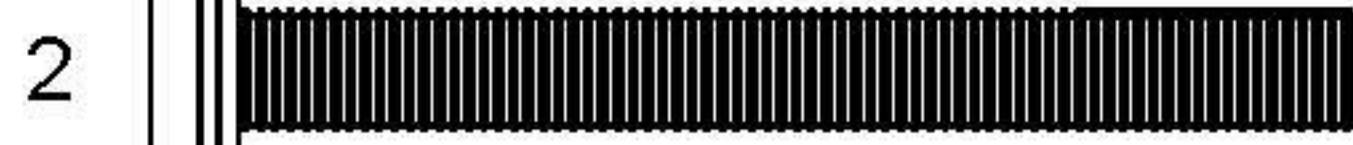
2

B-.27 X 3 SOCKET WAFER A



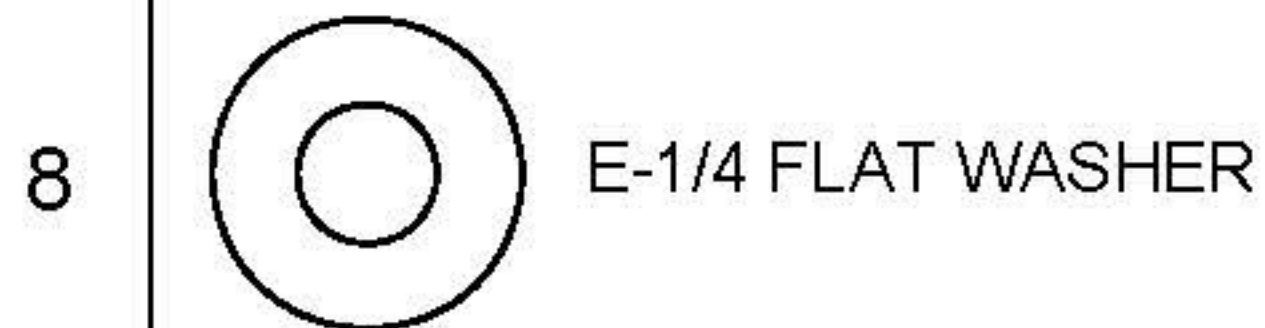
6

C-1/4-20 X 1-7/8 WAFER SHCS



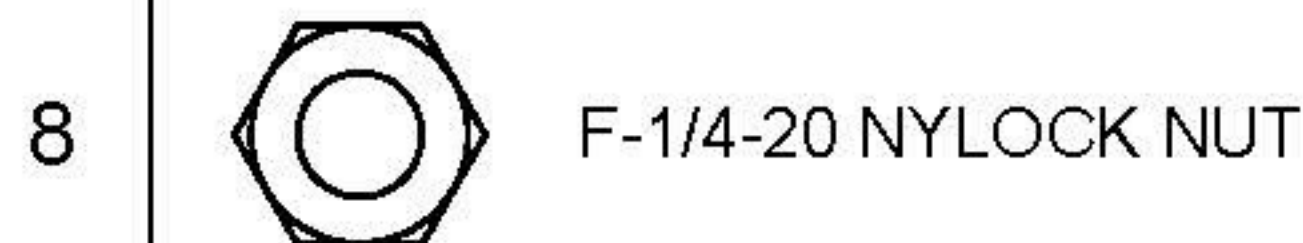
2

D-1/4-20 X 2-1/4 WAFER SHCS



8

E-1/4 FLAT WASHER

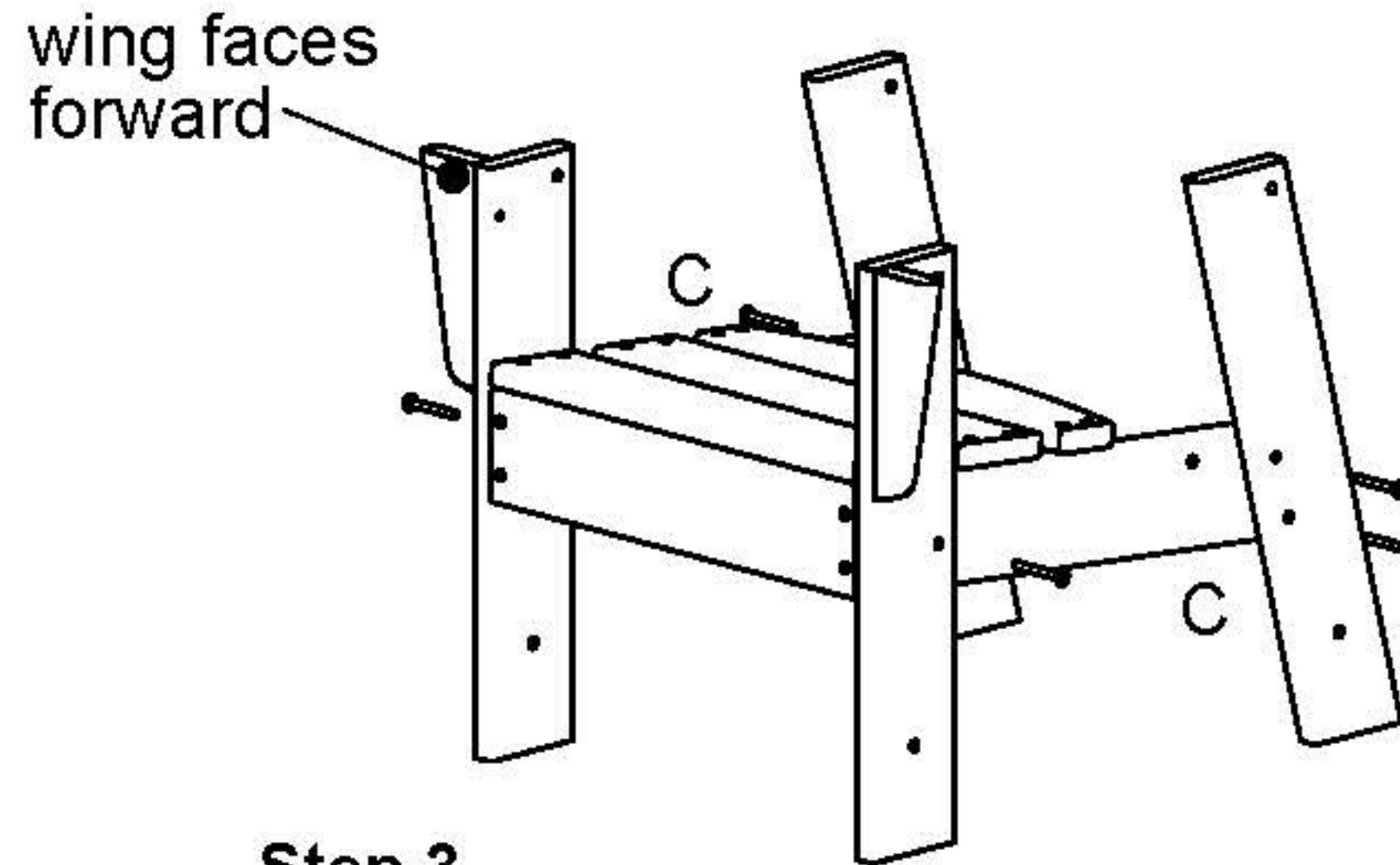


8

F-1/4-20 NYLOCK NUT

Step 1

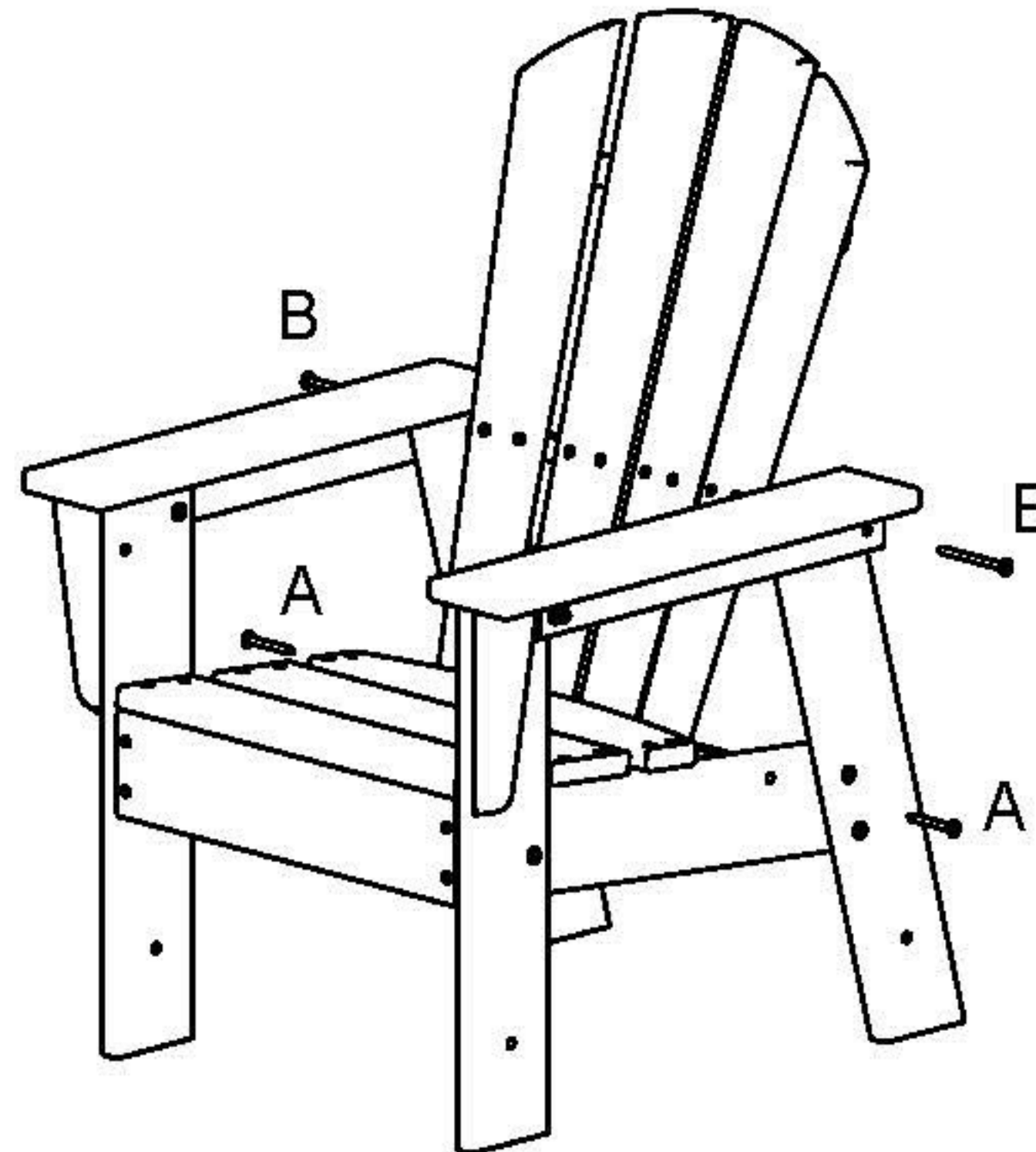
Lay seat on its side.
Attach front leg and back leg
to seat. Now flip seat around and
do the other side. Uses (6) 1-7/8" bolt, nut and washer



Step 3

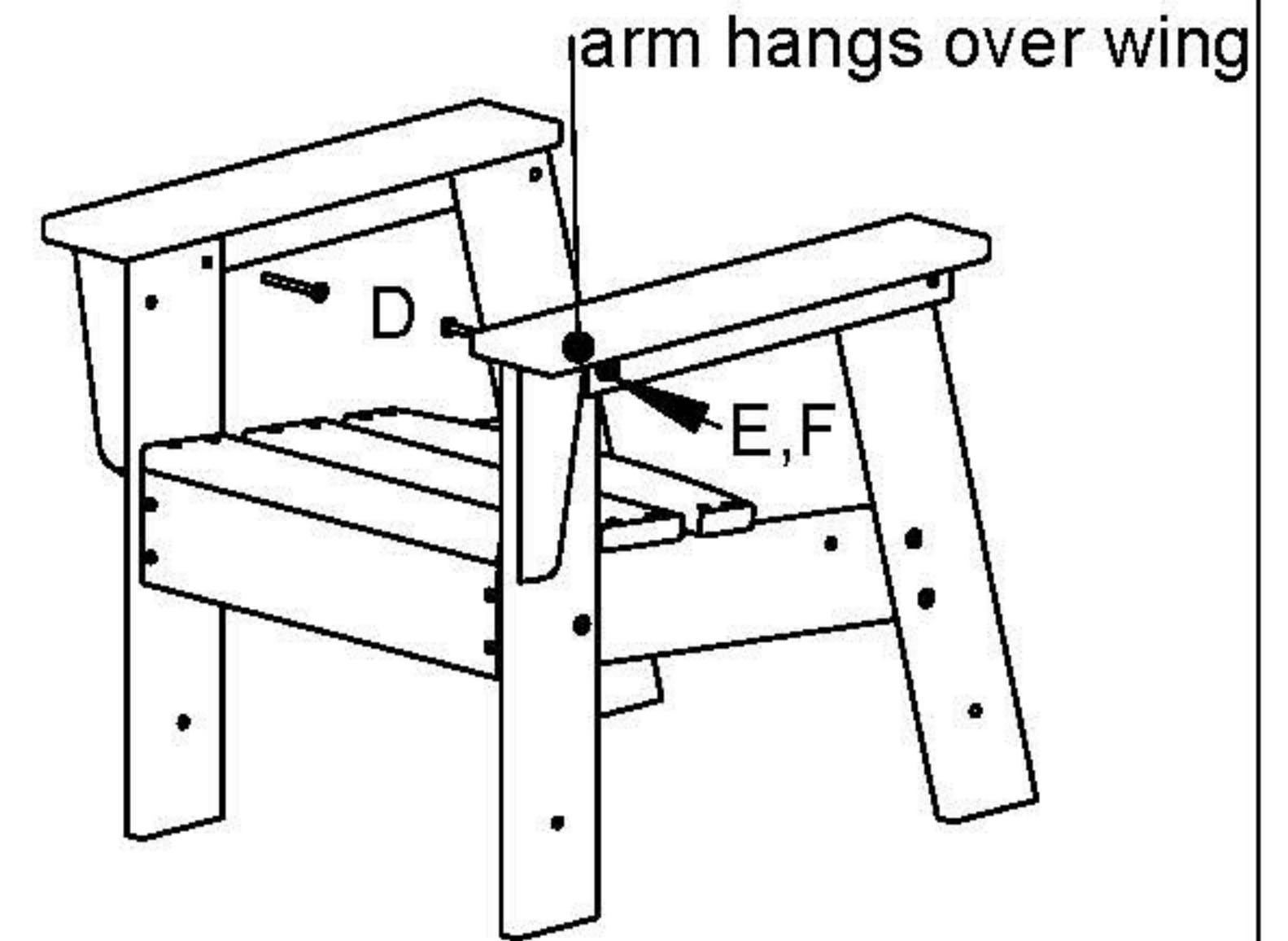
Attach back to seat
using (2) .27x2" screws

Attach back to rear leg
using (2) .27x3" screws



Step 2

Attach arms to front leg using
(2) 2-1/4" bolt, nut and washer



Step 4

Attach braces to legs
using (4) .27x2" screws

