

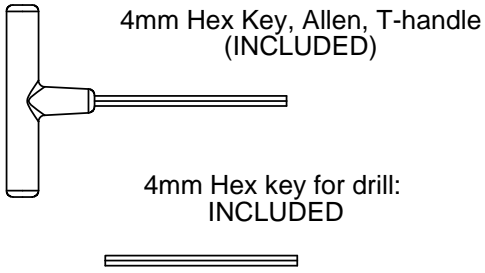


Old Country Store

Model: CKJ147

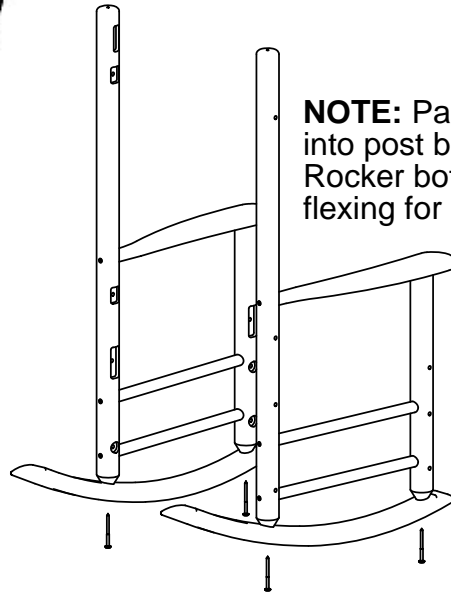
- (1) Hardware pack
- (2) Sideframes
- (2) Rocker bottoms
- (1) Back insert
- (1) Seat insert
- (1) Seat frame
- (2) Long braces
- (1) Short brace
- (1) Head piece

TOOLS NEEDED



Step 1

Attach rocker bottoms to sideframes using (4) .27x3 wafer screws.

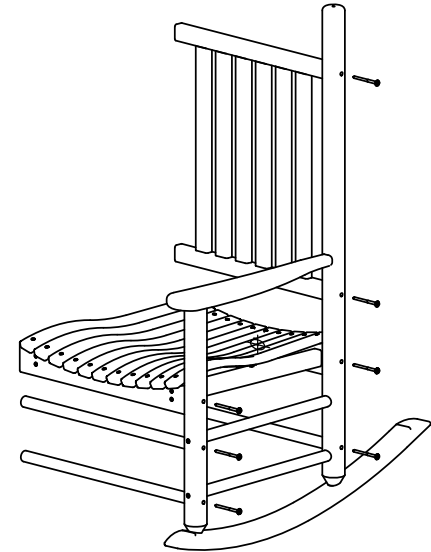


NOTE: Partially thread both screws into post before tightening. Rocker bottoms may require some flexing for proper fit.

Step 2

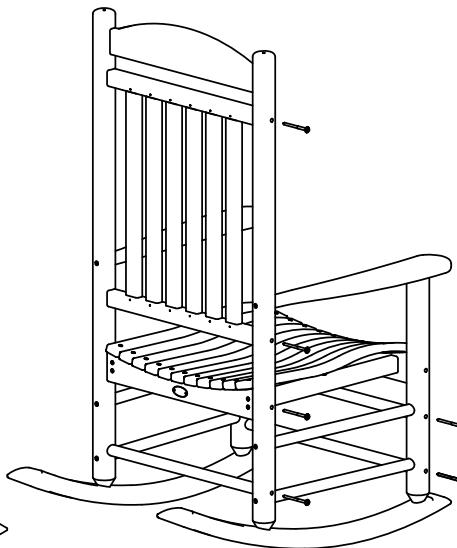
Attach long braces, short brace, seat frame and back frame to one of the sideframes using (7) .27x3 wafer screws.

Note: front of seat is wider



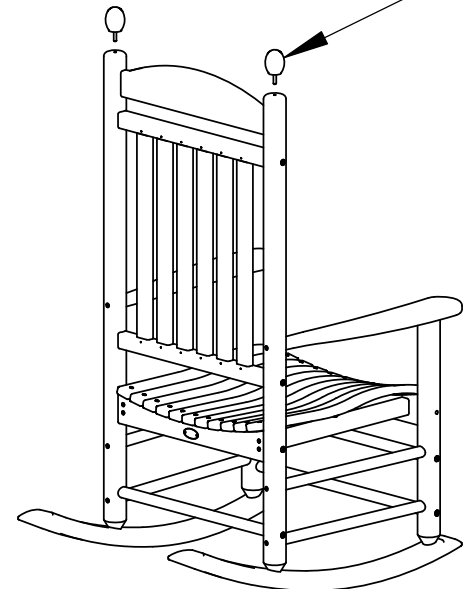
Step 3

Insert head piece into top of post
Repeat step 2 on other side

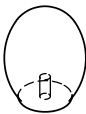


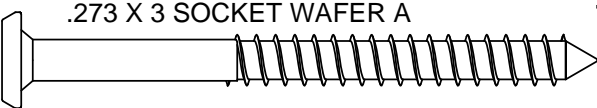
Step 4

Attach finials to top of post



Qty.	Description
------	-------------

2	 Finial w/dowel screw
---	--

18	 .273 X 3 SOCKET WAFER A
----	---

Model: TWST, BST

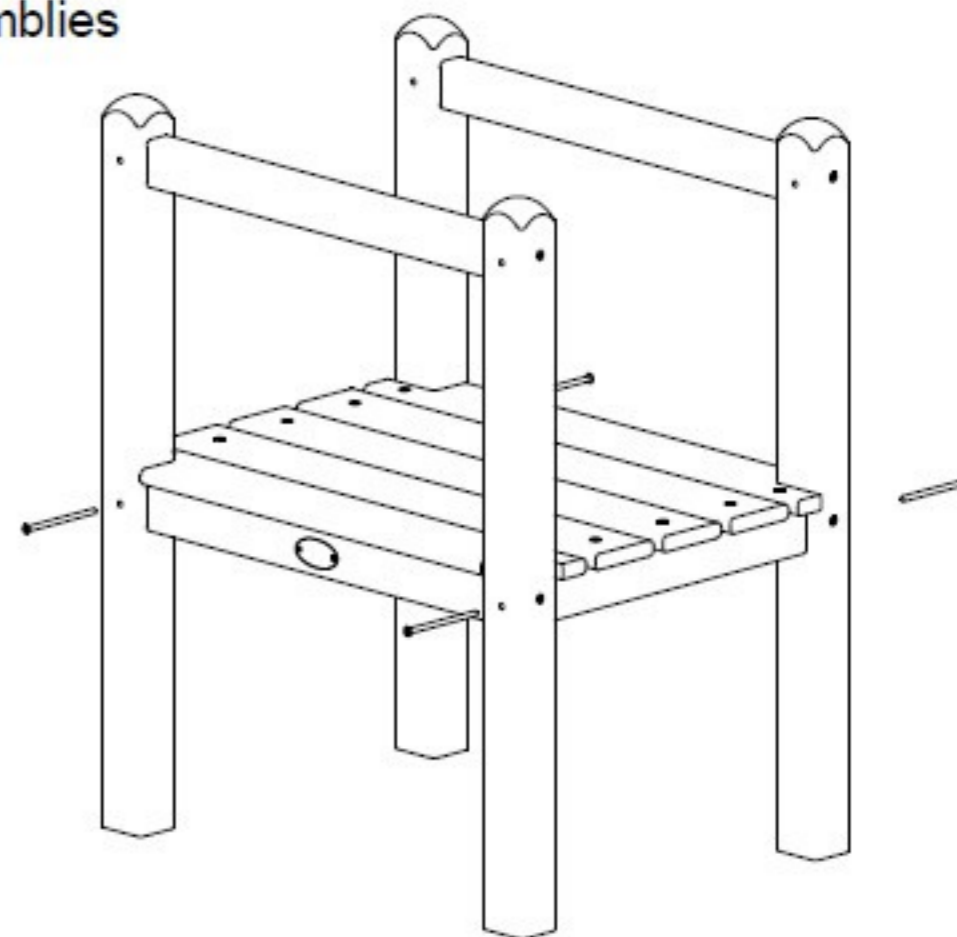
- (2) Trays
- (2) Leg assembly
- (1) Hardware pack

TOOLS NEEDED

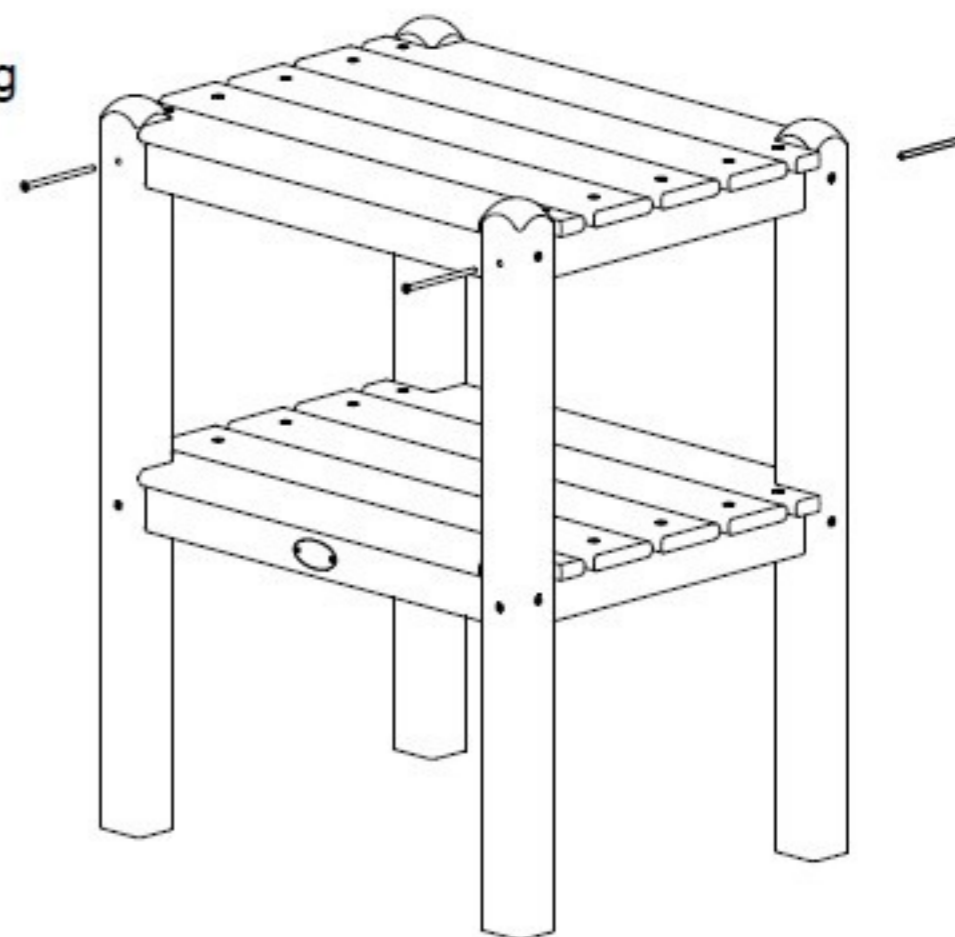
Phillips head screwdriver
A screw gun is required

Step 1
Attach a tray to the middle of the leg assemblies
by resting tray on the leg assemblies
Uses (4) 8x3 screws

Note:
Trays do not have pilot holes.
Screws go directly into Polywood
without pilot holes



Step 2
Attach other tray to the top of the leg
assemblies.
Uses (4) 8x3 screws



Qty.	Description
8	A - 8 X 3 PHIL FLAT SCREW