

INSIDE GATE FOLD
3.1875"

BACK
3.25"

COVER
3.25"

Congratulations on your purchase of the Red.Fly2 disc drag reel. Its innovative design and state-of-the-art manufacturing uphold the high quality and performance standards that distinguish all Redington products.

We are confident that your Redington Red.Fly2 reel will exceed your expectations. Proper care and maintenance of your reel will insure long-lasting performance.

Warranty:
Each new Redington Red.Fly2 fly reel purchased from an authorized retailer is covered by our one-year original owner guarantee.

The Red.Fly2 reel is available in the following sizes:

Reel size	Line wt.	Yards/lb.
RF2 4/5/6	5 wt.	100/20
RF2 7/8/9	8 wt.	175/20

Extra spools are available separately.



www.redington.com

12715 Miller Rd NE #101, Bainbridge Island, WA 98110. 1-800-253-2538



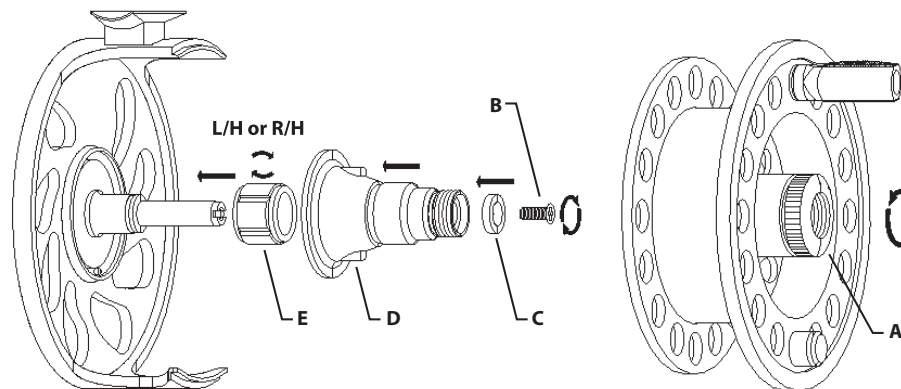
New copy

Care and Maintenance:

- To clean the reel, rinse any dirt or grit off in freshwater.
- Use a cloth or toothbrush with warm soapy water to remove any dirt and rinse again.
- Separate spool from frame and dry thoroughly.
- Lubricate the main shaft with thin layer of lithium-type grease.
- Unscrew the spool lock nut and put a small amount of grease on the drag knob threads.
- Store reel away from extreme heat.

Retrieve Conversion:

1. Remove the spool from the frame by removing the spool lock nut (part A)
2. Remove the retainer screw (part B)
3. Remove the drag cover retainer (part C)
4. Remove the drag cover (part D)
5. Remove and invert one way bearing (part E)
6. Replace drag cover, drag cover retainer and retainer screw (parts D, C, B)



Replacement Parts:

Reel handles, reel feet, cover caps and screws are available by calling Redington Warranty Department at 1.866.498.7243. All other repairs require the reel to be sent to Redington Warranty Department for service. View warranty details on our website or email us at: warranty@redington.com



www.redington.com

3.25"

3.25"
INSIDE SPREAD

Revised layout

3.1875"

3.25"

OUTSIDE

3.25"

INSIDE