



AMP® Low Voltage Landscape Lighting

AMP® ONE SubterraPro™ LED Well Lights

Product Description

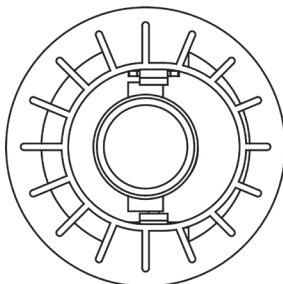
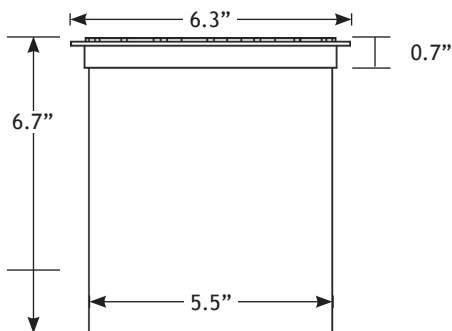
This below-grade fixture (also using AMP® ONE dimming technology) features a PVC exterior housing and a solid cast brass grate. The grate has an oblong opening in the center to allow for an unobstructed projection of angled light.

The integrated LED light source is housed in a solid cast brass watertight body. This body is mounted along two rails to allow for up and down movement, and for pivoting the housing to adjust the projection angle.

The AMP® ONE SubterraPro™ LED Well Light features interchangeable lenses (with 60° installed and 35° in the box - 12° and 24° available separately).



Product Dimensions



Features & Benefits

- ▶ Solid Cast Brass Faceplate
 - Resistant to corrosion
 - Will not break or bend
 - Weathers to a beautiful patina
- ▶ Interchangeable Optics for Adjustable Beam Spread
 - Ships with 60° (installed) and 35° optics
 - 24° and 12° optics sold separately
- ▶ Light source mounted on adjustable rails
 - Corrosion resistant screws, allow fixture to be raised and lowered, as well as tilted for optimum light control
- ▶ Waterproof Wire gland where lead wires exit fixture
 - Prevents ground moisture and insects from entering fixture
- ▶ Conformally coated circuit board
 - Added moisture protection for electronic components
- ▶ Reinforced PVC Canister

PRODUCT SPECIFICATIONS

AMP® Low Voltage Landscape Lighting

AMP® ONE SubterraPro™ LED Well Lights

Specifications

- ▶ **Housing:** Cast brass
- ▶ **Finish:** Antique bronze
- ▶ **Lead Wire:** 25' UL approved 18AWG, 2 conductor SJTW wire
- ▶ **Light Source:** Integrated LED
- ▶ **Lens:** Clear, flat glass
- ▶ **Beam Spread:** Ships with 60° (installed) and 35° optics
24° and 12° optics sold separately
- ▶ **Color Temperature (CCT):** 2700K
- ▶ **Color Rendering Index (CRI):** 80+
- ▶ **Life:** 60,000 hr L70
- ▶ **Operating Voltage Range:** 8-15V
- ▶ **Watts (W):** 18
- ▶ **Amps (A):** 2.0
- ▶ **Power Factor (PF):** 0.76
- ▶ **Volt Amps (VA):** 24
- ▶ **Powered by:** AMP® low voltage transformers

Dimming

Light levels for the AMP® ONE SubterraPro™ dimmable LED Well Lights are adjusted with the AMP® ONE Design-Master™ Remote Control. Each fixture can be controlled independently to six preset levels or fine-tuned to the exact desired level.

Warranty

Lifetime Warranty

Certifications



LISTED File # E466348

Lumen Output

Fixture Position	AWL-51036-IR-BZ	
	Min*	Max*
Raised	400	920
Lowered	8	18

* Lumen values variable as set by AMP® ONE Design-Master™ Remote Control

Accessories

Item Number	Description
AAC-1100-BK	AMP® ONE Design-Master™ Remote Control
OPX-36012-00-R1	12° optic for AWL-51036-IR-BZ
OPX-36024-00-R1	24° optic for AWL-51036-IR-BZ

Ordering Information

Example: Order # AWL-51036-IR-BZ

AWL	-510	3	6	-IR	-BZ
Family	Size	Diameter	# of LED's	Dimming	Finish
AWL = AMP® ONE Well Light	510 = SubterraPro™ LED Well Light	3 = 3"	6 = 6 LED's	IR = IR dimmable	BZ - Bronze

Specifications subject to change without notice.

ss-awl-510-ver2.pdf