

## INSTALLATION & MAINTENANCE GUIDE

**AMP**<sup>®</sup> Lighting

AMP<sup>®</sup> Low Voltage Landscape Lighting

AMP<sup>®</sup> Deck Lights (Integrated)

ADL Series

Help Hotline:

1-813-978-3900 • Mon-Fri 9am-6pm (EST)

[www.amplighting.com](http://www.amplighting.com)

 **Important Safety Instructions: Read Before Installation**

This luminaire is intended for installation in accordance with local codes and the National Electric Code (NEC). Failure to adhere to these codes and instructions may result in serious injury, property damage and void the warranty.

These instructions do not intend to cover all variations in installation, operation maintenance or mounting situation.

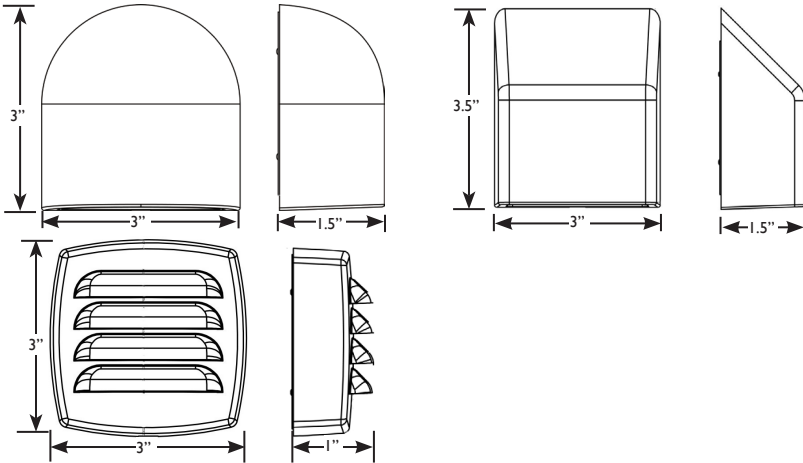
1. Make sure that the power is turned OFF before installing or servicing this luminaire.
2. Warning: risk of electrical shock. Install all luminaires 10 feet (3.05M) or more from pool, spa or fountain.
3. This luminaire is intended to be used only with a power supply (transformer) rated maximum of 300 watts (25 AMPS) at 15 volts.
4. Wiring connections must be made with wire connectors that is suitable for outdoor use.
5. Position the low voltage wire and wire connector so that it is located within 6 inches (15.2 cm) from a building structure, a luminaire, or fitting.
6. The main low voltage cable is intended for shallow burial - less than 6 inches (152 mm).
7. If additional lengths of low voltage cable is required, please contact [www.amplighting.com](http://www.amplighting.com) or call 1-813-978-3900.

**SAVE THESE INSTRUCTIONS**

## Package Contents

### A. (1) Luminaire

## Product Dimensions



## Pro Technique for Hiding Lead Wire

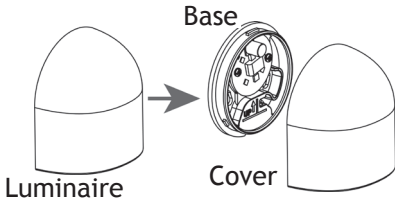
Determine the location for the fixture. Drill a hole straight through the desired mounting location and run the lead wire out the backside of the location so that the wires are not visible from the front side. Use a matching trim piece and cut a groove in the back of trim. Cover the lead wires with the matching trim piece.

## Pro Technique for Hiding Splice Connections

All fixtures come with 25' of lead wire enabling you to hide the splice connections out of sight. If you must make a splice connection in view, use an inline heat shrink style connection that is less visible than traditional twist caps.

# AMP<sup>®</sup> AMP<sup>®</sup> Deck Lights (Integrated) ADL Series

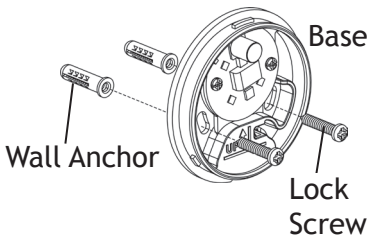
## 1 Remove Cover



Rotate the cover clockwise until it stops, then lift the cover straight off.

Note: The first time may be difficult because the luminaire has a very tight o-ring seal and a grease sealant for moisture protection.

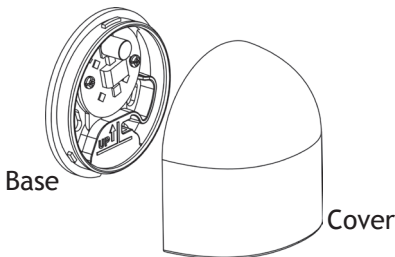
## 2 Install Base



Attach the base on the wall making sure the arrow is pointing in the correct direction and secure with the lock screws.

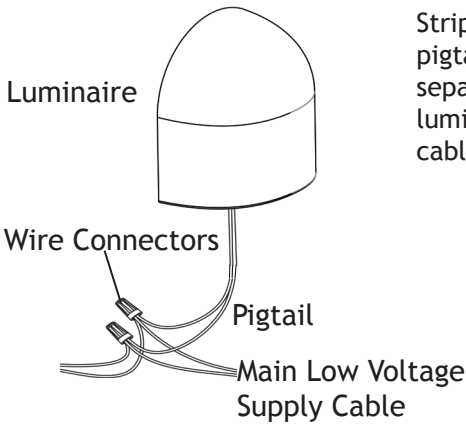
Note: Wall anchors are required for certain installation conditions (e.g. Brick wall, Concrete Wall, etc). Mark holes on the wall from the base for the wall anchors. Remove the base and drill proper holes on the wall, then insert the wall anchors.

## 3 Install Cover



Align the notches on the cover to the base. Firmly rotate the cover until it locks.

## 4 Wire Connections



Strip both leads from the luminaire pigtail. Using two wire connectors (sold separately), connect the leads from the luminaire to the main low voltage supply cable leads.

**AMP**<sup>®</sup> AMP<sup>®</sup> Deck Lights (Integrated)  
ADL Series



**AMP**<sup>®</sup> Lighting

**Help Hotline:**

**1-813-978-3900 • Mon-Fri 9am-6pm (EST)**

Specifications and product details subject to change without notice.  
© Copyright 2018, AMP<sup>®</sup> Lighting, Lutz FL USA 33549 • All rights reserved.  
customersupport@amplighting.com • 813.978.3900

**[www.amplighting.com](http://www.amplighting.com)**

is.ADL-600x-ver4.pdf